

Features

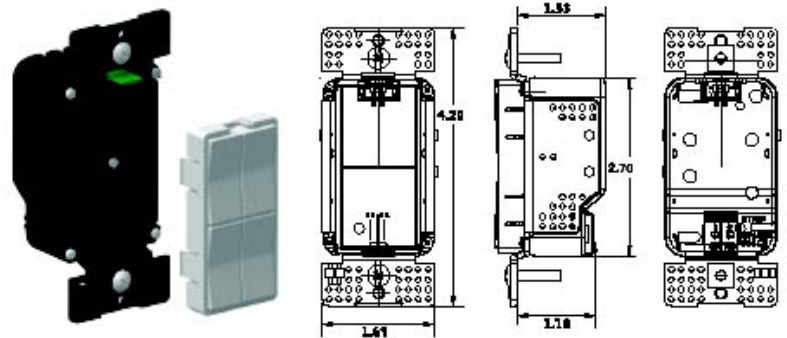
- UPB compliant
- Field interchangeable rocker and controller assemblies
- Up to 900W capacity
- Intuitive rocker and multi-button action
- Thinner depth profile for easy installation
- Cooler operation
- Thermal overload protection
- Combines load switching with UPB wall control functionality
- New blue/green LED indicator

UPB Benefits

- Higher reliability
- Lower system cost
- Individual home selective (no crossover/interference from adjacent homes)
- Easily configurable
- No new wires

Applications

- Dimming
- 3-way switching
- Create variable lighting scenes within the entire home
- Control lighting operation based upon time and/or event programming when connected to a Web Mountain NetPlace server
- Combine lighting load control with wall controller functions



The **SW-2 UPB Universal Dimming Transceiver** from Web Mountain Technologies offers a breakthrough in affordable home control operation. Use various configurations of these switches to:

- turn individual lights on or off
- dim lights
- set up multi-way control of light strings
- automate the operation of lights
- control scenes, lights or other UPB devices not on the circuit to which the switch is connected

The SW-2 is not shipped with a faceplate, but it can be field upgraded with single, double (tall), double (short), triple or quad rockers in a variety of standard colors. The SW-2 can also accept a variety of multi-button faceplates to turn the transceiver into an in-wall controller. If you want to be able to upgrade a dimmer in the field, for maximum flexibility order an SW-2.

All Web Mountain UPB switches are rated for loads up to 900W (see the load rating table).

Fluorescent, electronic low-voltage and metal halide loads cannot be dimmed with these switches, but they CAN be controlled by configuring the switches (using the UPStart configuration software) for ON/OFF operation only.

NOTE: To assure consistently reliable operation, we recommend a UPB phase coupler for every installation.

The SW-Series switches are electronic devices. It is important to stay under the load limits detailed in the adjoining table

Load Rating Table

		Number of Load Dimmers in J-box		
		1	2	3+
Number of J-box Gangs	1	600W	--	--
	2	800W	500W	--
	3+	900W	700W	500W

SW-2 UPB Universal Dimming Transceiver

Rocker Faceplates

Rocker Faceplates

- A SW-11 Single
- B SW-21 Dual (Tall)
- C SW-23 Dual (Short)
- D SW-31 Triple
- E SW-41 Quad

In-Wall Controller Faceplates

- F WC-4B 4 Buttons, thin bar
- G WC-4O 4 Buttons, oval
- H WC-5B 1 Rocker, 4 Buttons, thin bar
- I WC-5O 1 Rocker, 4 Buttons, oval
- J WC-8B 8 Buttons, thin bar
- K WC-8O 8 Buttons, oval

In-Wall Controller Faceplates

Installation

Requires a neutral wire. Installation by a licensed electrician is recommended.

Specifications	
Model Name	UPB Universal Dimming Transceiver
Model Number	SW-2
Case	Standard J-box mounting
Dimensions	1.6"D X 1.7"W X 4.2"H (depth inside J-box = 1.35")
Net Weight	4 oz.
Colors	White (W), Ivory (I), Almond (A), Black (BK), Brown (BN) - color matched to Leviton Decora faceplates
Protocol	UPB
Addressing	250 network codes; 250 individual device codes
Input Voltage	120V AC +/- 10%, 60 Hz
Dimming	0 to 100%
Maximum Load	Up to 900 W (see rating table on reverse side)
Connections	6" stranded pigtails, #16 AWG for power/load, 2 cage clamps for #14 AWG remote traveler wires
Certifications	ETL (UL equivalent)
Operating Temperature	0° to +50° C / 30° to 120° F
Warranty	2 years

Web Mountain Technologies, LLC
 13882 E. Grand Ave., Aurora, CO 80015
 info@webmtn.com www.webmtn.com

Sales Ph: 720-207-9174
Office Ph: 303-627-1856
Fax: 303-627-7665