



# SW-7 UPB Universal Dimming Transceiver

## Features

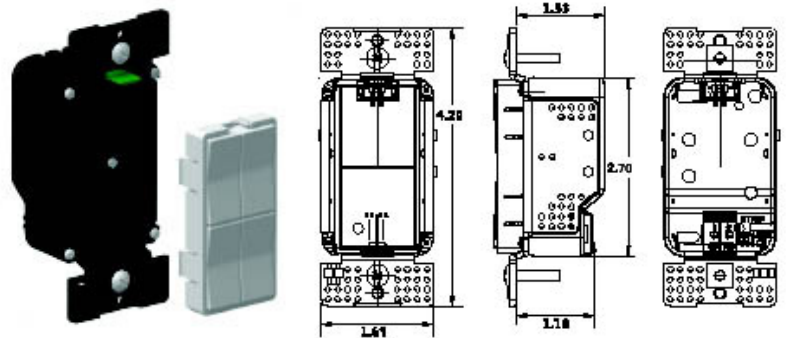
- Gen2 firmware
- Field interchangeable rocker and controller assemblies
- Up to 900W capacity
- Thinner depth profile for easy installation
- Cooler operation
- Thermal overload protection
- Combines load switching with UPB wall control functionality
- New blue/green LED indicator
- Faster, adjustable response time for the local load

## UPB Benefits

- Higher reliability
- Lower system cost
- Individual home selective (no crossover/interference from adjacent homes)
- Easily configurable
- No new wires

## Applications

- Dimming
- 3-way switching
- Create variable lighting scenes within the entire home
- Control lighting operation based upon time and/or event programming when connected to a Web Mountain NetPlace server
- Combine lighting load control with wall controller functions



The **SW-7 UPB Universal Dimming Transceiver** from Web Mountain Technologies offers a breakthrough in affordable home control operation. Use various configurations of these switches to:

- turn individual lights on or off
- dim lights
- set up multi-way control of light strings
- automate the operation of lights
- control scenes, lights or other UPB devices remotely

The SW-7 is not shipped with a faceplate, but it can be field upgraded with single, double (tall), double (short), triple or quad rockers in a variety of standard colors. The SW-7 can also accept a variety of multi-button faceplates to turn the transceiver into an in-wall controller. If you want to be able to upgrade a dimmer in the field, for maximum flexibility order an SW-7.

Fluorescent, electronic low-voltage and metal halide loads cannot be dimmed with these switches, but they CAN be controlled by configuring the switches (using the UPStart configuration software) for ON/OFF operation only.

The SW-7 has an adjustable response time for the local load. The response time is the elapsed time from button or rocker press to load response. The local response time can be adjusted to: 300 mS, 450 mS, 600 mS and the default, 750 mS.

NOTE: To assure consistently reliable operation, we recommend a UPB phase coupler for every installation.

The SW-Series switches are electronic devices. It is important to stay under the load limits detailed in the adjoining table

Load Rating Table

		Number of Load Dimmers in J-box		
		1	2	3+
Number of J-box Gangs	1	600W	--	--
	2	800W	500W	--
	3+	900W	700W	500W

# SW-7 UPB Universal Dimming Transceiver

## Rocker Faceplates

### Rocker Faceplates

- A SW-11 Single
- B SW-21 Dual (Tall)
- C SW-23 Dual (Short)
- D SW-31 Triple
- E SW-41 Quad

### In-Wall Controller Faceplates

- F WC-4B 4 Buttons, thin bar
- G WC-4O 4 Buttons, oval
- H WC-5B 1 Rocker, 4 Buttons, thin bar
- I WC-5O 1 Rocker, 4 Buttons, oval
- J WC-8B 8 Buttons, thin bar
- K WC-8O 8 Buttons, oval

## In-Wall Controller Faceplates

### Installation

Requires a neutral wire. Installation by a licensed electrician is recommended.

### Specifications

Model Name	Gen2 UPB Universal Dimming Transceiver
Model Number	SW-7
Case	Standard J-box mounting
Dimensions	1.6"D X 1.7"W X 4.2"H (depth inside J-box = 1.35")
Net Weight	4 oz.
Colors	White (W), Ivory (I), Almond (A), Black (BK), Brown (BN) - color matched to Leviton Decora faceplates
Protocol	UPB
Addressing	250 network codes; 250 individual device codes
Input Voltage	120V AC +/- 10%, 60 Hz
Dimming	0 to 100%
Maximum Load	Up to 900 W (see rating table on reverse side)
Connections	6" stranded pigtails, #16 AWG for power/load, 2 cage clamps for #14 AWG remote traveler wires
Certifications	ETL (UL equivalent)
Operating Temperature	0° to +50° C / 30° to 120° F
Warranty	2 years